

# Sunray Saunas

## Granby Infrared Sauna

### Aged Canadian Hemlock Wood

Combines strength and durability with natural wood appeal

### Built-In Ergonomic Backrest

Strategically positioned for relaxation and comfort.

### Ceramic Heaters

Designed to quickly get the Sauna to maximum temperature.



### Pitched Roof and Weather Cover

Suitable for outdoor use. Weather cover is required while not in use.

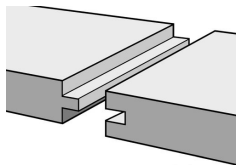
### Ventilation System

Built in ceiling ventilation for advanced air flow.

### Cabin Features

Solid wood floor and heavy duty hinged door with tempered glass.

#### Tongue and Groove Assembly



Easy to assemble and operate. Takes just one hour for assembly.

#### Integrated Key Pad



Integrated Digital keypad controls temperature, and heat time

#### Premium Bluetooth System



Bluetooth makes it easy to connect and listen to your devices.

#### Warranty

Industry leading full 7 year structural warranty. 1 year parts warranty. Lifetime support.

### SPECIFICATIONS

#### Construction

Canadian Hemlock Cabin  
10mm Tempered Glass  
Tongue & Groove Construction  
Weight: 425 lbs

#### Exterior Cabin

Width: 59"  
Depth: 42"  
Height: 83"

#### Interior Cabin

Width: 56"  
Depth: 37"  
Height: 66"

#### Roof Dimensions

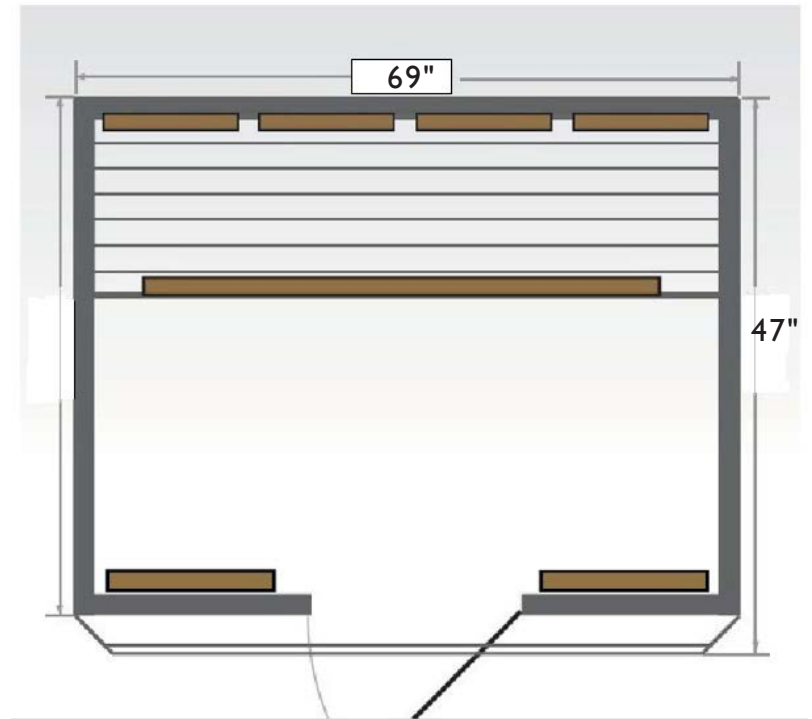
Width: 69"  
Depth: 47"

#### Power Requirements

2100 Watts  
120V, 20 Amp

# Sunray Saunas

## Granby Infrared Sauna



### Exterior Dimensions

#### SPECIFICATIONS

##### Construction

Canadian Hemlock Cabin  
10mm Tempered Glass  
Tongue & Groove Construction  
Weight: 425 lbs

##### Exterior

Width: 69"  
Depth: 47"  
Height: 83"

##### Interior

Width: 55"  
Depth: 43"  
Height: 68"

##### Rapid Heat Ceramic Heaters

Ceramic Heaters  
Power: 120V, 20AMP

##### Warranty Coverage

Structure 7 Years  
Electronics 1 Year  
Heaters 1 Year