

# Sunray Saunas

## Rockledge Traditional Sauna

### Aged Canadian Hemlock Wood

Combines strength and durability with natural appeal.

### Cultured Stone Wall

Provides a touch of class and elegance to the interior.

### Built-In Ergonomic Backrest

Strategically positioned for relaxation and comfort.

### Harvia Heater

A globally recognized leader in heating technology.



### Chromatherapy Lighting

Multi-color lighting built into the ceiling for mood enhancement.

### Sand Timer and Hygrometer

Measures your session times, heat and humidity levels.

### Efficient Lighting

Ambient lighting for reading and relaxation.

### Cabin Features

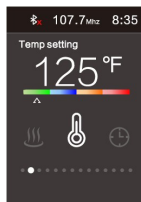
Solid wood floor and heavy duty hinged door with tempered glass.

### Premium Bluetooth System



Bluetooth makes it easy to connect and listen to your audio devices.

### Integrated Key Pad



Integrated digital keypad controls temperature, time, lights, heater intensity.

### Chroma Light Therapy



Choose from 7 different colored lights that provide an array of colors that reduce anxiety and improve mood.

### Warranty

Industry leading full 7 year structural warranty. 1 year parts warranty. Lifetime support.

## SPECIFICATIONS

### Construction

Canadian Hemlock Cabin  
10mm Tempered Glass  
Tongue & Groove Construction  
Weight: 601 lbs

### Exterior

Width: 59"  
Depth: 42"  
Height: 75"

### Interior

Width: 54"  
Depth: 38"  
Height: 69"  
Bench: 66" x 22"  
Bench Height: 20"

### Heater

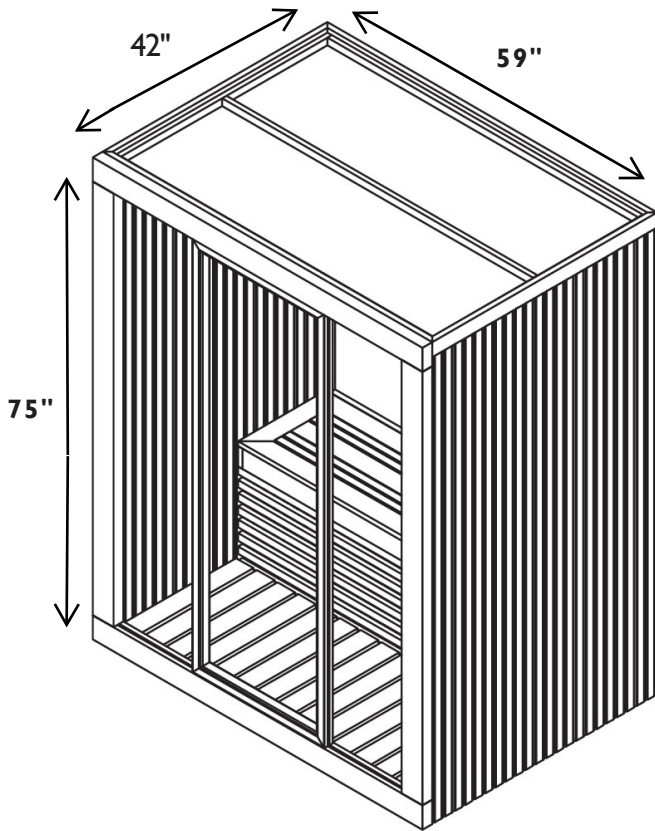
4.5kW Harvia Electric Heater  
Power: 240V, 30AMP Dedicated  
Power Supply Required

### Warranty Coverage

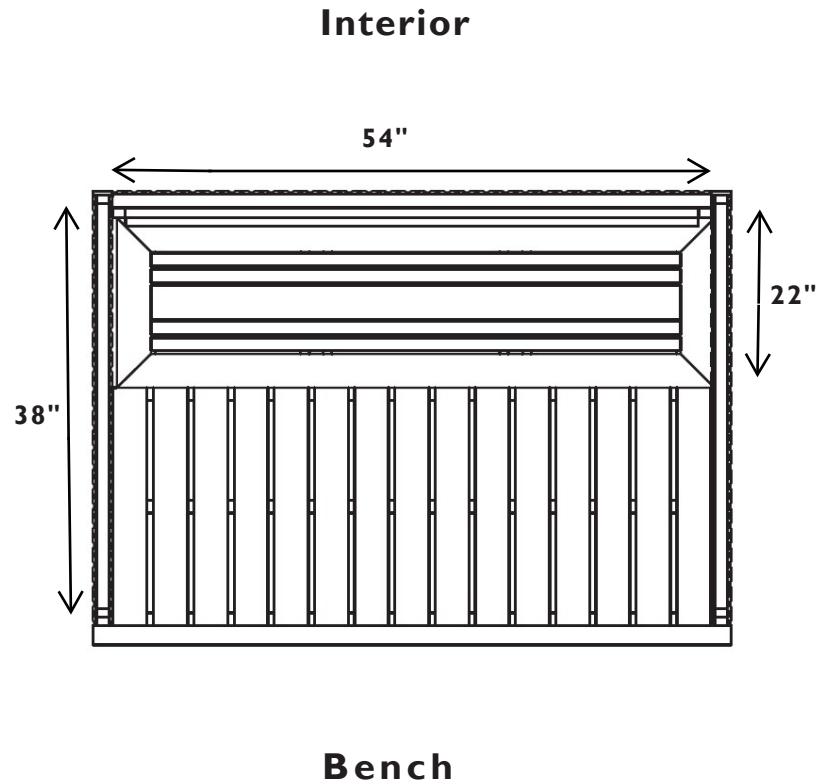
Structure 7 Years  
Electronics 1 Year  
Heaters 1 Year

# Sunray Saunas

## Rockledge Traditional Sauna



**Birdseye View**



**Bench**

### SPECIFICATIONS

#### Construction

Canadian Hemlock Cabin  
10mm Tempered Glass  
Tongue & Groove Construction  
Weight: 601 lbs

#### Exterior

Width: 59"  
Depth: 42"  
Height: 75"

#### Interior

Width: 54"  
Depth: 38"  
Height: 69"  
Bench: 66" x 22"  
Bench Height: 20"

#### Heater

4.5kW Harvia Electric Heater  
Power: 240V, 30AMP  
Dedicated Power Supply Required

#### Warranty Coverage

Structure 7 Years  
Electronics 1 Year  
Heaters 1 Year